



# 2<sup>nd</sup> INTERNATIONAL CONGRESS on FOOD and NUTRITION



24 - 26 October, 2007

Istanbul, TURKEY



2<sup>nd</sup> Announcement



[www.tubitak.foodcongress.org](http://www.tubitak.foodcongress.org)

## HONORARY BOARD OF THE CONGRESS

Prof. Dr. Nüket YETİŞ  
M. Önder YETİŞ  
Prof. Dr. Turgut YAZICIOĞLU  
Prof. Dr. Ayşe BAYSAL  
Prof. Dr. Tosun TERZİOĞLU  
Prof. Dr. Bekir CEMEROĞLU  
Prof. Dr. Lothar LEISTNER

## Members

Prof. Dr. Filiz AÇKURT  
Ferruh ADOĞLU  
Dr. Sena Saklar AYYILDIZ

## ORGANISING COMMITTEE

### Chairperson

Assoc. Prof. Guner OZAY

[Guner.Ozay@mam.gov.tr](mailto:Guner.Ozay@mam.gov.tr)

### General Secretary

Assoc. Prof. Cesarettin ALASALVAR

[Cesarettin.Alasalvar@mam.gov.tr](mailto:Cesarettin.Alasalvar@mam.gov.tr)

Dr. Banu BAHAR  
Mehmet Gökbörü BAHAR  
Dr. Somer BEKİROĞLU  
Dr. Muammer KAPLAN

## INTERNATIONAL SCIENTIFIC BOARD (in alphabetical order)

- Prof. Dr. Filiz AÇKURT, TÜBİTAK MRC, **Turkey**
- Prof. Dr. Juha AHVENAINEN, VTT Technical Research Centre of Finland, **Finland**
- Prof. Dr. Elke ANKLAM, Joint Research Centre (JRC), **Italy**
- Prof. Dr. Murat BALABAN, University of Florida, **USA**
- Prof. Dr. Levent BAYINDIRLI, Middle East Technical University, **Turkey**
- Prof. Dr. Torger BØRRESEN, Danish Institute for Fisheries Research, **Denmark**
- Assoc. Prof. Masum BURAK, Ministry of Agricultural and Rural Affairs, **Turkey**
- Prof. Dr. Colin DENNIS, Campden and Chorleywood Food Research Association (CCFRA), **United Kingdom**
- Prof. Dr. Roger FENWICK, Institute of Food Research (IFR), **United Kingdom**
- Antonio Di GIULIO, European Commission, **Belgium**
- Prof. Dr. Hüsrev HATEMİ, Istanbul University, **Turkey**
- Prof. Dr. Chi-Tang HO, Rutgers University, **USA**
- Dr. Harmen HOFSTRA, Safeconsortium, **Belgium**
- Prof. Dr. Artemis KARAALI, Istanbul Technical University, **Turkey**
- Djien LIEM, European Food Safety Authority (EFSA), **Italy**
- Prof. Dr. Kazuo MIYASHITA, Hokkaido University, **Japan**
- Prof. Dr. Harun PARLAR, Technical University of Munich, **Germany**
- Dr. Maya PINEIRO, Food and Agriculture Organization (FAO), **Italy**
- Prof. Dr. İlbilge SALDAMLI, Hacettepe University, **Turkey**
- Prof. Dr. Fereidoon SHAHIDI, Memorial University of Newfoundland, **Canada**
- Prof. Dr. Young-Joon SURH, Seoul National University, **South Korea**
- Prof. Dr. Muammer UĞUR, Istanbul University, **Turkey**
- Dr. Angelo VISCONTI, Institute of Sciences of Food Production (ISPA), **Italy**

Dear Attendees,

After successful completion of the **1<sup>st</sup> International Congress on Food and Nutrition** (with the theme of food safety and quality through the food chain; farm to fork), held June 2005 at the Military Museum in Istanbul, Turkey, we are now planning to organize the second one with the theme of **'Food for Future'**, to be held at the same place during 24 - 26 October, 2007. More than 500 participants, one fourth of whom from Europe and elsewhere, attended the first congress and we are, at least, hoping to double the number of participants at this time.

The main goal of this conference is to build on the successes of the first one by highlighting the most important areas of recent Research & Development as well as exploring relevant topics that will be the most interesting for the future. It is also aimed to provide accurate and updated scientific information on the discipline of food and nutrition through the 21<sup>st</sup> century.

This conference will provide a forum for exchange of ideas and authoritative views by leading scientists (such as food scientists and technologists, nutritionists, and medical professionals) as well as business leaders and investors in this exciting field. Outstanding keynote speakers and well-known leading scientists and experts from around the globe will be expected to share their knowledge with us. In addition, at the early period of EU 7<sup>th</sup> Framework Programme (2007-2013), the theme: **'Food, Agriculture, Fisheries and Biotechnology'**, will be subjected to different congress activities to provide the information and facilitate the possible co-operations among scientists and industrialists.

Nutraceuticals and functional foods still represent one of the fastest growing areas of research and development leading to novel products intended for disease prevention and health promotion. The 'healthy food industry', which includes nutraceuticals, functional foods, fortified foods, dietary supplements, organics and natural foods, among others, is growing by about 10-20% per year in sale. The current global market of functional foods and nutraceuticals or healthful foods is estimated to be of around US\$80 billion annually.

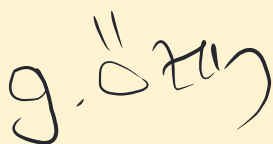
We will first time have a **'Researcher Poster Award Competition'** at this conference. The award is designed to encourage and highlight the outstanding research carried out in different aspects of food and nutrition. The purpose of the award is to encourage scholarly activity of outstanding research by young scientists.

Stands for advertising of the products/services of the companies in the food sectors shall be placed in the exhibition area throughout the congress.

We have the pleasure to invite and welcome you for the participation to our exciting congress. Let us meet in one of the most glorious cities in the world.

Best regards,

Assoc. Prof. Guner OZAY  
Congress Chairperson



# PROGRAMME OVERVIEW

2<sup>nd</sup> Announcement

3

2<sup>nd</sup> INTERNATIONAL CONGRESS on FOOD and NUTRITION • 24 - 26 October, 2007

	10:00-11:00	11:00-11:30	11:30-12:30	12:30-13:30	13:30-15:30	15:30-16:00	16:00-18:00	18:30-20:30
Wednesday 24/10/2007	Opening Ceremony  @ Atatürk Conference Room	Coffee Break & Poster Session	Key-Note Speakers (1 & 2)  @ Atatürk Conference Room	LUNCH	Session 1: Functional Foods, Nutraceuticals, Bioactives & Natural Health Products  @ Atatürk Conference Room	Coffee Break & Poster Session	Session 1: Continued  @ Atatürk Conference Room	WELCOME RECEPTION
					Session 2: Innovation and New Trends in Food Processing Technology  @ Kocatepe Conference Room		Session 2: Continued  @ Kocatepe Conference Room	
					Symposium 1: Safe-Day  @ İnönü Conference Room		Symposium 1: Continued  @ İnönü Conference Room	
Thursday 25/10/2007	Plenary Lectures (1 & 2)  @ Atatürk Conference Room	Coffee Break & Poster Session	Session 3: Sustainable Food Production  @ Atatürk Conference Room	LUNCH	Session 5: Nutrition, Health and Well Being-1  @ Atatürk Conference Room	Coffee Break & Poster Session	Session 7: New Techniques in Food Analysis  @ Atatürk Conference Room	GALA DINNER
			Session 4: Organic Foods: Production, Consumption and Marketing  @ Kocatepe Conference Room		Session 6: Consumer Perspective: Retailing and Communication  @ Kocatepe Conference Room		Symposium 2: Hazelnut: The Nut for the Future  @ Kocatepe Conference Room	
			Panel 1: Control of Micronutrient Deficiencies: Food Fortification  @ İnönü Conference Room		Panel 2: Food Safety and Legislation  @ İnönü Conference Room		Symposium 3: National and International Food Programmes  @ İnönü Conference Room	
					Balkan Workshop @ F. Çakmak Conference Room			
Friday 26/10/2007	Plenary Lectures (3 & 4)  @ Atatürk Conference Room	Coffee Break & Poster Session	Session 8: Utilisation of Food by-Products and Waste  @ Atatürk Conference Room	LUNCH	Session 11: Nutrition, Health and Well-Being-2  @ Atatürk Conference Room	Coffee Break & Poster Session	Closing Ceremony Poster Awards The Mehteran Show (Historical Ottoman Janissary Band of Music)  @ Atatürk Conference Room	
			Session 9: Convergence Technologies in Food Production  @ Kocatepe Conference Room		Session 12: Fisheries & Seafood  @ Kocatepe Conference Room			
			Panel 3: Current Approaches to Obesity  @ İnönü Conference Room		Panel 4: Food Authenticity  @ İnönü Conference Room			
			Session 10: General Session-1  @ F. Çakmak Conference Room		Session 13: General Session-2  @ F. Çakmak Conference Room			

# SCIENTIFIC PROGRAMME: WEDNESDAY, 24 October 2007

10:00-11:00	11:00-11:30	11:30-12:30	12:30-13:30	13:30-15:30	15:30-16:00	16:00-18:00	18:30-20:30
<p>Opening Ceremony</p> <p>@ Atatürk Conference Room</p>	<p>Coffee Break &amp; Poster Session</p>	<p><b>Key-Note Speakers</b></p> <p>Key Note Speaker 1: <b>Antonio Di GIULIO</b> EC DG-Research, Belgium</p> <p>"Complexities in the knowledge-base bio economy: challenges and perspectives for science and policy"</p> <p>Key Note Speaker 2: <b>Prof. Dr. Gökhan S. Hotamışligil</b> Harvard University, USA</p> <p>"Molecular networks integrating nutrients to health and disease"</p> <p>@ Atatürk Conference Room</p>	<p>LUNCH</p>	<p><b>Session 1: Functional Foods, Nutraceuticals, Bioactives &amp; Natural Health Products</b></p> <p>Invited Speaker: <b>Prof. Dr. Fereidoon Shahidi</b> Memorial University of Newfoundland, Canada</p> <p>"Nutraceuticals and functional food components in health promotion and disease prevention"</p> <p>@ Atatürk Conference Room</p>	<p>Coffee Break &amp; Poster Session</p>	<p><b>Session 1: Continued</b></p> <p>@ Atatürk Conference Room</p>	<p>WELCOME RECEPTION</p>
				<p><b>Session 2: Innovation and New Trends in Food Processing Technology</b></p> <p>Invited Speaker: <b>Dr. Qasim Chaudhry</b> Central Science Laboratory, UK</p> <p>"Potential applications and implications of nanotechnology in the food sector"</p> <p>@ Kocatepe Conference Room</p>		<p><b>Session 2: Continued</b></p> <p>@ Kocatepe Conference Room</p>	
				<p><b>Symposium 1: Safe-Day</b></p> <p><b>Dr. Harmen Hofstra</b>, Safe Consortium, Belgium</p> <p><b>Dr. Laura Raaska</b>, VTT, Finland</p> <p><b>Dr. Peter Quantick</b>, University of Lincoln, UK</p> <p><b>Assoc. Prof. Bo B. B. Jensen</b>, EHEDG Nordic, Belgium</p> <p><b>Dr. Satu Salo</b>, VTT, Finland</p> <p><b>Assoc. Prof. Gun Wirtanen</b>, VTT, Finland</p> <p><b>Dr. Hülya Ölmez</b>, TÜBİTAK-MAM, Turkey</p> <p><b>Assoc. Prof. Sonja Smole Možina</b>, University of Ljubljana, Slovenia</p> <p>@ İnönü Conference Room</p>		<p><b>Symposium 1: Continued</b></p> <p>@ İnönü Conference Room</p>	

# SCIENTIFIC PROGRAMME: THURSDAY, 25 October 2007

09:00-10:00	10:00-10:30	10:30-12:30	12:30-13:30	13:30-15:30	15:30-16:00	16:00-18:00	19:30-22:00
<p><b>Plenary Lectures (1 &amp; 2)</b></p> <p>Lecture 1: <b>Prof. Dr. Jan Maat</b> Unilever Research &amp; Development, ETP Food for Life, Netherlands</p> <p>"The implementation plan of the European Technology Platform Food for Life"</p> <p>Lecture 2: <b>Prof. Dr. Collin Dennis</b> Campden &amp; Chorelywood Food Research Association (CCFRA), UK</p> <p>"Innovations in food technology"</p> <p>@ Atatürk Conference Room</p>	<p>Coffee Break &amp; Poster Session</p>	<p><b>Session 3: Sustainable Food Production</b></p> <p>Invited Speaker: <b>Prof. Dr. Thomas Ohlsson</b> The Swedish Institute for Food and Biotechnology, Sweden</p> <p>"Sustainability of food chains"</p> <p>@ Atatürk Conference Room</p>	<p>LUNCH</p>	<p><b>Session 5: Nutrition, Health and Well Being-1</b></p> <p>Invited Speaker: <b>Prof. Dr. Young-Joon Surh</b> Seoul National University, Korea</p> <p>"Diet and cancer prevention: nutrigenomic perspectives"</p> <p>@ Atatürk Conference Room</p>	<p>Coffee Break &amp; Poster Session</p>	<p><b>Session 7: New Techniques in Food Analysis</b></p> <p>Invited Speaker: <b>Prof. Dr. Harun Parlar</b> Munich Technical University, Germany</p> <p>"Isolation of biological active compounds from plants using adsorptive bubble separation methods"</p> <p>@ Atatürk Conference Room</p>	<p>GALA DINNER</p>
		<p><b>Session 4: Organic Foods: Production, Consumption and Marketing</b></p> <p>Invited Speaker: <b>Dr. Urs Niggli</b> FiBL, Switzerland</p> <p>"Organic food and farming: state of the art and challenges"</p> <p>@ Kocatepe Conference Room</p>		<p><b>Session 6: Consumer Perspective: Retailing and Communication</b></p> <p>Invited Speaker: <b>Prof. Dr. George Chryssochoidis</b> Agricultural University of Athens, Greece</p> <p>"Providing information to consumers and relevant aspects"</p> <p>@ Kocatepe Conference Room</p>		<p><b>Symposium 2: Hazelnut: The Nut for the Future</b></p> <p><b>Assoc. Prof. Cesarettin Alasalvar</b>, TÜBİTAK-MAM, Turkey <b>Dr. Ferda Seyhan</b>, TÜBİTAK-MAM, Turkey <b>Giuseppe Calcagni</b>, International Nut and Dried Fruit Council, Spain <b>Dursun Gürsoy</b>, Hazelnut Promotion Group, Turkey <b>To be announced</b>, from Industry</p> <p>@ Kocatepe Conference Room</p>	
		<p><b>Panel 1: Control of Micronutrient Deficiencies: Food Fortification</b></p> <p>Chair: <b>Prof. Dr. Filiz Açıktur</b> TÜBİTAK-MAM, Turkey</p> <p>Panellists: <b>To be announced</b> Ministry of Agriculture, Turkey <b>Dr. A. Tanju Altunsu</b> Ministry of Health, Turkey <b>Edip H. Aktaş</b> TUSAF, Turkey <b>To be announced</b> UNICEF</p> <p>@ İnönü Conference Room</p>		<p><b>Panel 2: Food Safety and Legislation</b></p> <p>Chair: <b>Assoc. Prof. Güner Özay</b> TÜBİTAK-MAM, Turkey</p> <p>Panellists: <b>Oddur Már Gunnarsson</b> The Icelandic Centre for Research - RANNIS, Iceland <b>Frans Verstrate</b> EC, Health and Consumer Protection Directorate, Belgium <b>Dr. Elzbieta Ceglarska</b> European Food Safety Authority (EFSA), Italy <b>Rolaf van Leeuwen</b> European Food Safety Authority (EFSA), Italy</p> <p>@ İnönü Conference Room</p>		<p><b>Symposium 3: National and International Food Programmes</b></p> <p><b>Didem Çelikkanat</b>, TÜBİTAK, Turkey <b>Meltem Soydan</b>, TÜBİTAK, Turkey <b>Oğuz Yapar</b>, TÜBİTAK, Turkey <b>Dr. Özlem Ekici</b>, TÜBİTAK, Turkey <b>Prof. Dr. Roger Fenwick</b>, Institute of Food Research, UK <b>Dr. Anne-Mette Jensen</b>, EC DG-Reserch, Belgium</p> <p>@ İnönü Conference Room</p>	
		<p><b>Balkan Workshop</b> Food, Agriculture, Fisheries and Biotechnology for FP7</p> <p>@ F. Çakmak Conference Room</p>					

# SCIENTIFIC PROGRAMME: FRIDAY, 26 October 2007

09:00-10:00	10:00-10:30	10:30-12:30	12:30-13:30	13:30-15:30	15:30-16:00	16:00-18:00
<p><b>Plenary Lectures (3 &amp; 4)</b></p> <p>Lecture 3: <b>Dr. Francesco Nicola Tubiello</b> NASA-GISS Columbia University, USA</p> <p>"Effect of climate change on food security"</p> <p>Lecture 4: <b>Assoc. Prof. Özgen Doğan</b> Columbia University, USA</p> <p>"Your heart is in your hands"</p>	<p>Coffee Break &amp; Poster Session</p>	<p><b>Session 8: Utilisation of Food by-Products and Waste</b></p> <p>Invited Speaker: <b>Prof. Dr. Kazuo Miyashita</b> Hokkaido University, Japan</p> <p>"Overview of effective utilization of food by-products and waste"</p> <p>@ Atatürk Conference Room</p>	<p>LUNCH</p>	<p><b>Session 11: Nutrition, Health and Well-Being-2</b></p> <p>Invited Speaker: <b>Assoc. Prof. Ron Pegg</b> University of Georgia, USA</p> <p>"Do functional foods prevent cardiovascular disease?"</p> <p>@ Atatürk Conference Room</p>	<p>Coffee Break &amp; Poster Session</p>	<p><b>Closing Ceremony</b></p> <p><b>Poster Awards</b></p> <p><b>The Mehteran Show</b> (Historical Ottoman Janissary Band of Music)</p>
		<p><b>Session 9: Convergence Technologies in Food Production</b></p> <p>Invited Speaker: <b>Prof. Dr. Remko Boom</b> Wageningen University, Netherlands</p> <p>"Food production with micro- and nanotechnology – small technology, big opportunities"</p> <p>@ Kocatepe Conference Room</p>		<p><b>Session 12: Fisheries &amp; Seafood</b></p> <p>Invited Speaker: <b>Prof. Dr. Karl A. Almås</b> SINTEF Fisheries and Aquaculture, Norway</p> <p>"Sustainable development of the global aquaculture industry"</p> <p>@ Kocatepe Conference Room</p>		
		<p><b>Panel 3: Current Approaches to Obesity</b></p> <p>Chair: <b>Prof. Dr. Gülden Pekcan</b> Hacettepe University, Turkey</p> <p>Panellists: <b>Prof. Dr. Gökhan S. Hotamışlıgil</b> Harvard University, USA <b>Prof. Dr. Nevin Dinççağ</b> Istanbul University, Turkey <b>Sacide Gümüşel</b> TDD, Turkey <b>Assoc. Prof. Adnan Gökçel</b> Acıbadem Hospital, Turkey</p> <p>@ İnönü Conference Room</p>		<p><b>Panel 4: Food Authenticity</b></p> <p>Chair: <b>Prof. Dr. Artemis Karaali</b> Istanbul Technical University, Turkey</p> <p>Panellists: <b>Prof. Dr. Ahmet Canbaş</b> Çukurova University, Turkey <b>Aslı Elif Sunay</b> Balparmak Co., Turkey <b>Assoc. Prof. Gürhan Çiftcioğlu</b> Istanbul University, Turkey</p> <p>@ İnönü Conference Room</p>		
<p>@ Atatürk Conference Room</p>	<p>@ F. Çakmak Conference Room</p>	<p>@ F. Çakmak Conference Room</p>	<p>@ Atatürk Conference Room</p>			
		<p><b>Session 10: General Session-1</b></p>		<p><b>Session 13: General Session-2</b></p>		

## GENERAL INFORMATION

### Congress Centre

"2<sup>nd</sup> International Congress on Food and Nutrition-Food for Future" will be held in Istanbul at the Military Museum between 24 - 26 October, 2007.

### Exhibition Area

A large area is reserved for the leading firms of food sector to give them the opportunity of exhibiting and/or demonstrating their products. The participants of the congress will be able to visit the exhibition if they have their badges on. Companies, which plan to purchase exhibition stands, should apply to ER-TUR Tourism and Organization Inc., Congress Organization Firm, for detailed information.

### Congress Information Line

Participants can call +90-216-3461032 (ext: 127,153, 191) ER-TUR Tourism and Organization Inc. telephone numbers to get information on travel, accommodation, transport and social activities.

Participants can also call the following telephone numbers of TÜBİTAK-MRC, Food Institute, to get information on oral and poster presentations +90-262-6772000 (ext: 3272, 3203, 3242).

### Congress Web Address

All information as well as the latest updates are also available through the congress

website: [www.tubitak.foodcongress.org](http://www.tubitak.foodcongress.org)

### Congress Language

The official languages of the congress are English and Turkish. Simultaneous translation will be available both in English and Turkish in Atatürk, İnönü, and Kocatepe Conference Rooms. The language in Fevzi Çakmak Conference Room will only be English.

### Badges

All participants will be able to enter the congress centre only by the manner of attaching their badges on. The participants are also expected to have their badges attached during all scientific and social activities.

### Attendance Certificate

Attendance certificates will be given to all registered participants at the registration desk.

### Congress Abstract Book

All abstracts will be published in an abstract book. The abstract of poster and oral presentations will be prepared according to the instructions given in the congress website. Abstract book will be distributed to the participants upon registration during the congress.

### Important Dates

Abstract Submission Deadline (Abstracts will be accepted through the congress website.)

**June 30, 2007**

Notification of Acceptance

**August 24, 2007**

Announcement of Final Programme

**October 01, 2007**

### Visa

Invitation letters to apply for a visa will be sent upon simple request. Please indicate clearly the dates (from/to) that need to be mentioned in these letters.

### Climate

October is the beginning of autumn in Istanbul. The average temperature in October is 16 °C.

### Time zone

Turkish Standard Time is 2 hours ahead of Greenwich Mean Time.

### Electricity

The electricity in Turkey is 220V AC.

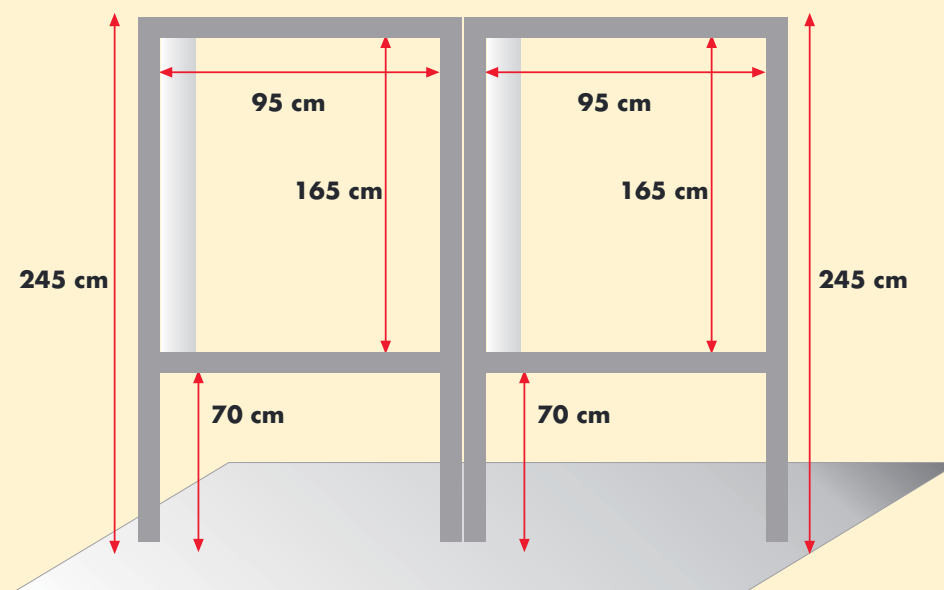
## Abstract Preparation Procedure and Instructions

- 1- Abstracts will be reviewed by the organizers for inclusion into the program, and authors will be notified on August 24, 2007.
- 2- Abstracts must be submitted only in English through the website.
- 3- Abstract should be 300 words or less. The system will not accept the submission of the abstract if it is more than 300 words.
- 4- Abstract must include a full title, author name(s), and complete affiliation(s).
- 5- Original research abstract should contain justification, objective, materials & methods, results and discussions, and conclusions. Graphics, Tables, and References are not allowed in abstracts, and will not be printed. Statements such as "results will be presented" or "will be discussed" are not acceptable. Improperly written abstracts and commercially oriented abstracts will be rejected.
- 6- Review and panel abstracts should contain justification, objective, detailed discussion, conclusions, and recommendations.
- 7- Select the relevant topic you are submitting your abstract.
- 8- Please indicate whether you prefer to have your abstract as an oral or poster presentation. The scientific committee will use this designation to help in review of the abstracts and will hold the right to allocate the abstracts.
- 9- Those of you who are interested in participating in Researcher Poster Award Competition, the button 'I would like to participate in Poster Competition' must be checked.
- 10- For the publication in the Congress Abstract Book, no further editing will be performed by the scientific committee on the submitted abstracts. Therefore, authors should take the responsibility for the language issues.

### Poster Presentations

Poster presentations will be an integral part of the conference. Space will be available for the display of poster papers for authors who would like this opportunity for more personal interaction with interested parties. The display area is accessible and comfortable. The poster presenter is responsible for setup and takedown. Thumbtacks and tape will be provided. The poster board and information to be presented are the responsibility of the presenter.

**POSTER BOARD SIZE:** 95 cm wide x 165 cm tall.



## HOW TO GET TO THE CONGRESS SITE

### Travel to Istanbul

Travel time to Istanbul from all major cities of Europe is between 2 – 3 hours. Istanbul is served by more than 50 airlines from all parts of the world. The national carrier of Turkey, Turkish Airlines (THY) has branches almost in all of the European countries.

### By Plane

On arrival at the Ataturk International Airport (about 30 km)

- Take a private transfer by Er-Tur rates stated on the website.
- Take a taxi to the hotels, fare approximately 25 €.
- Take a Havaş shuttle service, fare approximately 5 €.

### By Train

Istanbul has one main railway station on the European side. You can take a taxi from the station to reach your hotel or the congress centre (taxi fare approximately 10 €).

### By Car

Approaching Istanbul on the motorway 01, direction to Aksaray and thereon to Taksim. After Taksim, continue in the direction of Harbiye.



The Congress Centre is situated next to the Hilton Hotel, Istanbul.

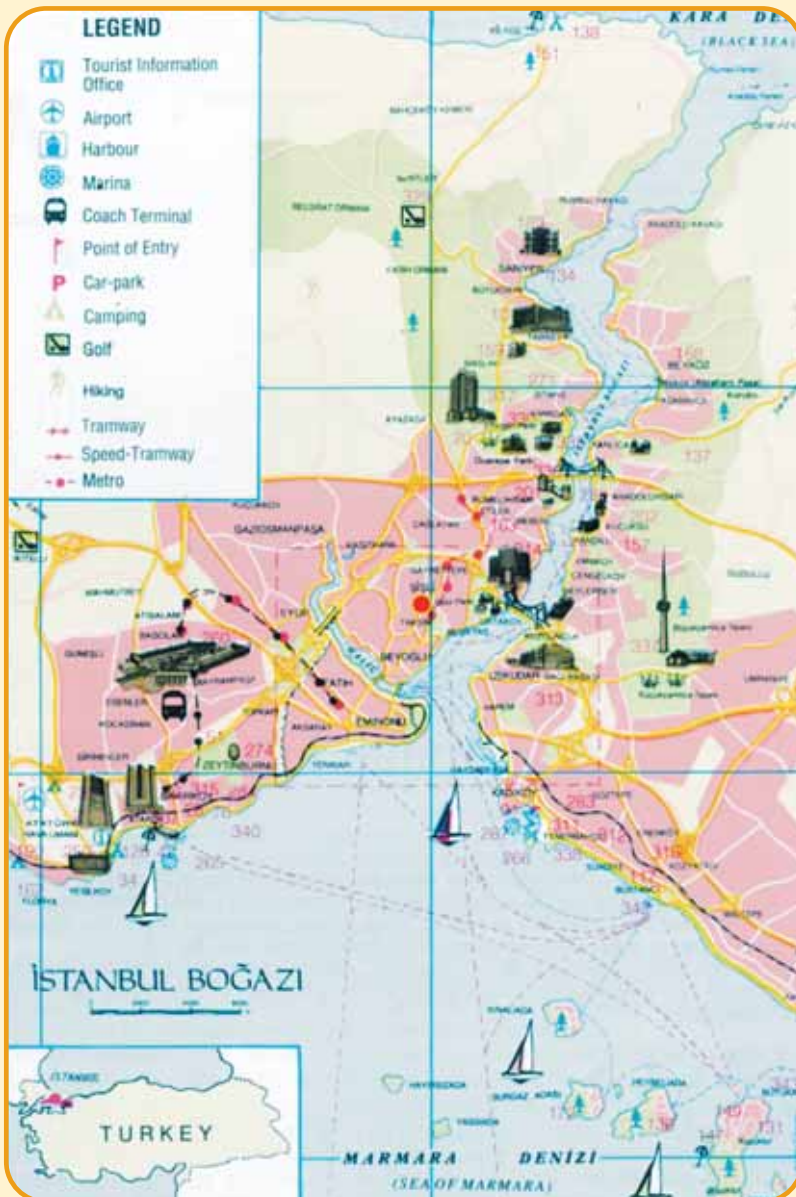
### How to Get to The Military Museum

The Military Museum is within walking distance to Taksim Square where the congress hotels are located. It takes approx. 10 minutes on foot.

## CONGRESS VENUE

### About Istanbul

It embraces two continents with one arm reaching out to Asia and the other to Europe. Through the city's heart, the Bosphorus, course the waters of the Black Sea, the Sea of Marmara and the Golden Horn. Istanbul is the former capital of three successive empires, Roman, Byzantine and Ottoman. But Istanbul today honors and preserves the legacy of its past while looking forward to a modern future. It is Istanbul's endless variety that fascinates its visitors. The museums, churches, palaces, grand mosques, bazaars and sights of natural beauty seem innumerable. Reclining on the Western shore of the Bosphorus at sunset contemplating the red evening light reflected in the windows of the opposite shore you may suddenly and profoundly understand why so many centuries ago settlers chose to build on this remarkable site. At such an occasion, you can see why Istanbul is truly one of the most glorious cities in the world.



## REGISTRATION

### REGISTRATION FEES OF THE CONGRESS

	Until 21 <sup>st</sup> September, 2007 (Early registration)	After 21 <sup>st</sup> September, 2007 (Late registration)
Regular participant	200 €	250 €
Governmental organisations	120 €	150 €
Students	75 €	100 €
IPP Members*	140 €	170 €
Accompanying Person	100 €	125 €
One day **	100 €	100 €

(\*): Companies have membership in TÜBİTAK MRC Industrial Partnership Programme.

#### \*\*One Day registration pay extra for;

Welcome Cocktail	30 €
Gala Dinner	80 €
Proceeding Book	20 €
Congress Bag	15 €

#### The registration fee includes:

- Welcome Reception
- Lunch & Coffee
- Abstract Book
- Congress Bag
- Gala Dinner

#### Accompanying person fee includes:

- Welcome Reception
- Gala Dinner
- Lunch & Coffee

#### Bank Information

Bank Name	IBAN Code (YTL)
GARANTI BANKASI (062)	TR850006200012400006299206
Branch Name/No	Account Number (EURO)
MODA (124)	9094993
Account Title	IBAN Code (EURO)
Er-Tur Turizm Ve Organizasyon A.S.	TR120006200012400009094993
Account Number (YTL)	Swift Code
6299206	TGBATRISXXX

#### Registration and Help Desk

The registration desk at the congress venue will be open between 24-26, October 2007 from 8:30 to 17:00. Pre-registered participants will be able to get the congress bags from the registration desk. Registration can still be carried out at on-site registration desk during the congress. Credit cards will be also valid at the on-site registration desk.

## REGISTRATION FORM

Online registration is also possible through the congress website.

### 2<sup>nd</sup> International Congress on Food and Nutrition 24 - 26 October 2007, Istanbul, Turkey

Please register by completing this form and fax to (+90 -216 347 92 44) [tubitak@foodcongress.org](mailto:tubitak@foodcongress.org)

#### Personal Information

*Family Name	*First Name
*Title/Profession	Company/Organisation
Faculty / Department	*Street / P.O. Box
Postal code / Zip code	*City
Registration date	*Country
*E-mail (do not use capital letters!)	Fax (+ country code, area code, number)
*Phone (+ country code, area code, number)	*Address for invoice receipt of payment
Tax office	Tax No

Please note that required fields are marked with \*.

#### Accompanying person(s)

Family Name	First Name

#### Registration and fee (VAT included)

Until 21<sup>st</sup> September, 2007 (Early registration)

After 21<sup>st</sup> September, 2007 (Late registration)

	Until 21 <sup>st</sup> September, 2007 (Early registration)	After 21 <sup>st</sup> September, 2007 (Late registration)
Regular participant	<input type="radio"/> 200 €	<input type="radio"/> 250 €
Governmental organisations	<input type="radio"/> 120 €	<input type="radio"/> 150 €
Students ***	<input type="radio"/> 75 €	<input type="radio"/> 100 €
IPP Members *	<input type="radio"/> 140 €	<input type="radio"/> 170 €
Accompany Person	<input type="radio"/> 100 €	<input type="radio"/> 100 €
One day **	<input type="radio"/> 100 €	<input type="radio"/> 125 €

(\*): Companies have membership in TÜBİTAK-MRC Industrial Partnership Programme.

(\*\*): Please send proof of studentship together with your registration form.

#### \*\* One Day registration pay extra for;

Social Activities	Number of Person(s)	
Welcome Cocktail		<input type="checkbox"/> 30 €
Gala Dinner		<input type="checkbox"/> 80 €
Proceeding Book		<input type="checkbox"/> 20 €
Congress Bag		<input type="checkbox"/> 15 €

Wednesday 24, October

Thursday 25, October

Friday 26, October

#### Payment Type

Bank Transfer

Account Title : ER-TUR TURIZM VE ORGANIZASYON A.S.  
 Bank name : GARANTI BANKASI (062)  
 Branch Name/No : MODA (124)  
 Account Number (YTL) : 6299206  
 IBAN Code YTL : TR850006200012400006299206  
 Account Number (EURO) : 9094993  
 IBAN Code EURO : TR120006200012400009094993  
 Swift Code : TGBATRISXXX

Credit Card

Name of Card Holder

Visa/Master Card type

: Visa ( ) Master ( )

Card No

Valid until (month, year)

CVC2\*\*

\*\*The last three digits of the number at the back of the credit card

Total Amount : €

Signature

## ACCOMMODATION

Hotel	Star	Price		Including
GOLDEN AGE 1	4	Single	80 €	TAX / BB
		Double	105 €	
CRYSTAL HOTEL	4	Single	79 €	TAX / BB
		Double	104 €	
LION HOTEL	4	Single	79 €	TAX / BB
		Double	104 €	
LAMARTINE HOTEL	4	Single	89 €	TAX / BB
		Double	109 €	
LARES PARK HOTEL	+4	Single	144 €	TAX / BB
		Double	164 €	
NIPPON HOTEL	4	Single	134 €	TAX / BB
		Double	164 €	
HILTON HOTEL	5	Single	218 €	TAX / BB
		Double	246 €	
DIVAN HOTEL	5	Single	140 €	TAX / BB
		Double	160 €	
THE MARMARA ISTANBUL	5	Single	218 €	TAX / BB
		Double	244 €	
ELITE HOTEL	4	Single	135 €	TAX / BB
		Double	150 €	

Er-Tur is the official agent for booking accommodation of the **2<sup>nd</sup> International Congress on Food and Nutrition** to be held in Istanbul between 24-26 October, 2007 and has reserved the most convenient hotels nearby the congress area with special rates.

- Any change in government taxes will be reflected to the above prices.
- All extras (like mini bar, dry cleaning, telephone etc) should be settled directly.

### RESERVATION PROCEDURES

The hotel and tour reservations can be made online through the congress website, [www.tubitak.foodcongress.org](http://www.tubitak.foodcongress.org). Tour reservations can also be made by sending the form on the next page (by mail or fax). Forms should be sent to Er-Tur latest **August 24, 2007**. Requests received after this date will only be processed according to availability. Er-Tur will only confirm reservations to participants who have complied with the payment conditions. Er-Tur will do its best to confirm your first accommodation choice, however should your first choice not be available you are kindly requested to indicate your second and third choices on the form. The amount should be paid latest **September 24, 2007**. Payments should be made either by bank transfer or credit card. Participants are kindly requested to make their accommodation confirmations available, when asked.

### CANCELLATIONS

Cancellations must be forwarded to Er-Tur in written form. The above-mentioned reservation and cancellation terms are applicable only for individual reservations. For group reservations and cancellations, please contact Er-Tur Tourism official agent. A handling fee of 25 € per day will be charged for every change received after **August 24, 2007**. Payments are not refunded after **September 24, 2007**.

## TOURS

EXCURSIONS	FEE	DATE	PRICE	PAX	TOTAL
<b>TOUR 1</b> OTTOMAN RELICS	Half Day	October 24	45 €	<input type="text"/>	€
	Half Day	October 25	45 €	<input type="text"/>	€
	Half Day	October 26	45 €	<input type="text"/>	€
<b>TOUR 2</b> BYZANTIAN RELICS	Half Day	October 24	50 €	<input type="text"/>	€
	Half Day	October 25	50 €	<input type="text"/>	€
	Half Day	October 26	50 €	<input type="text"/>	€
<b>TOUR 3</b> ISTANBUL CLASSIC	Half Day	October 24	90 €	<input type="text"/>	€
	Half Day	October 25	90 €	<input type="text"/>	€
	Half Day	October 26	90 €	<input type="text"/>	€
<b>TOUR 4</b> BOSPHORUS CRUISE	Half Day	October 24	60 €	<input type="text"/>	€
	Half Day	October 25	60 €	<input type="text"/>	€
	Half Day	October 26	60 €	<input type="text"/>	€
<b>TOUR 5</b> GOLDEN HORN and St. SAVIOUR in CHORA	Half Day	October 24	50 €	<input type="text"/>	€
	Half Day	October 25	50 €	<input type="text"/>	€
	Half Day	October 26	50 €	<input type="text"/>	€
<b>TOUR 6</b> ISTANBUL by NIGHT	Half Day	October 24	65 €	<input type="text"/>	€
	Half Day	October 25	65 €	<input type="text"/>	€
	Half Day	October 26	65 €	<input type="text"/>	€

Istanbul Excursions Total

## PRE and POST SYMPOSIUM TOURS

	PP IN DBL	SGL ROOM	PAX	TOTAL
CAPPADOCIA (2 Days)	490.00 €	520.00 €	<input type="text"/>	€
EPHESUS (Daily)	455.00 €		<input type="text"/>	
TROY AND GALLIPOLI (2 Days/1 Night)	600.00 €		<input type="text"/>	
GREEN BURSA (LONG DAY)	70.00 €		<input type="text"/>	

Pre and Post Symposium Tours Total

TOTAL EXCURSION

## Transfer Fees

1-2 Pax	55 €
3-5 Pax	80 €
6-10 Pax	100 €

Above fees inclusive of picking up and assist service at the airport and 18% VAT.

Please visit the congress website for further information. ([www.tubitak.foodcongress.org](http://www.tubitak.foodcongress.org))

## CURRENT SPONSORS

### PLATIN SPONSOR



### GOLDEN SPONSORS



Doğal lezzet

### SILVER SPONSORS



### GALA DINNER SPONSOR



### STANDS



### SUPPORTING ORGANIZATIONS



### PRESS SPONSORS



## STRATEGIC PARTNERS



Campden & Chorleywood Food  
Research Association Group